

DH500

Gravity Feed

The Model DH500 is an extremely versatile and dependable machine designed specifically for briquetting operations requiring moderate to high pressures while optimizing production rates. Applications are numerous and include carbon based fuels, inorganic chemicals such as quick lime (CaO), mineral ores, metal oxides, and industrial byproducts.

FEATURES:

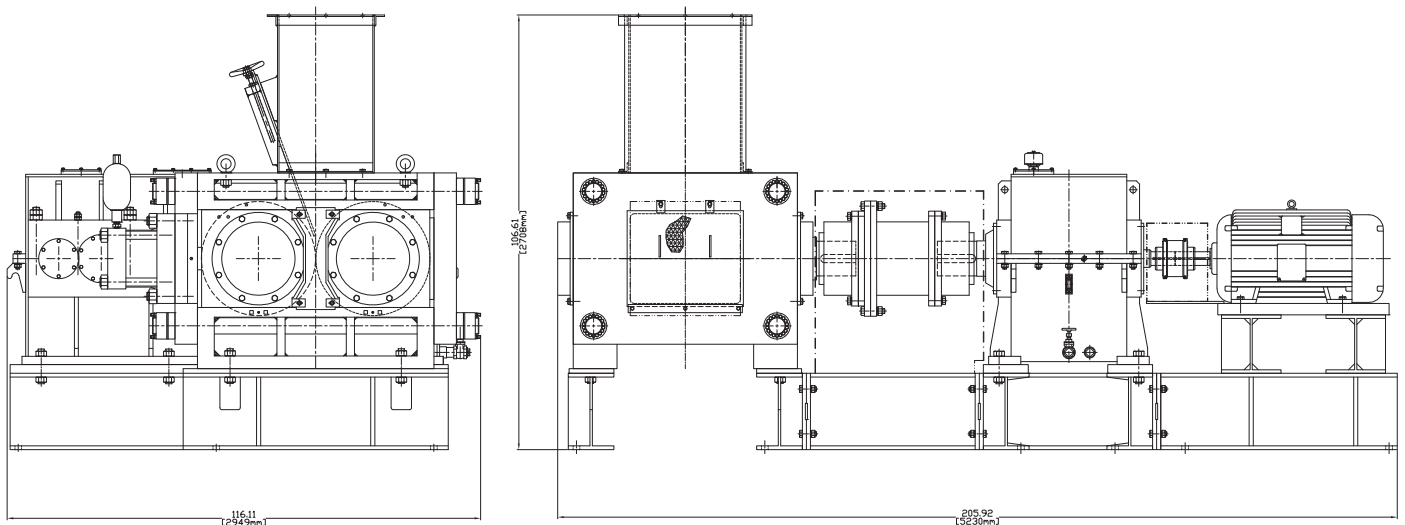
- Solid or segmented roll design for easy roll replacement
- Vertical feed design provides for either screw feed or gravity feed options
- Pockets are available in different shapes and sizes
- Vacuum de-aeration available for fine powder applications
- Variable speed roll and screw feeder drives to maximize product quality
- Rolls and feed screws are available in wear and corrosion resistant alloys
- Robust and extremely stable industrial frame construction
- Heavy duty long lasting bearings and drive components
- Designed for ease of maintenance
- Screw feed option available

Model DH500 (Gravity Feed) General Specifications

Roll Diameter	28 in	711 mm
Roll Width	9 – 20 in	229 – 508 mm
Maximum Roll Separating Force	330 ton-force	2936 kN
Roll Drive (Typical)	250 hp	186 kW
Feeder Drive (Typical)	30 hp	22 kW
Throughput Range (Depending on briquette size and density)	20 – 60 t/h	18 – 55 mt/h
Machine Weight (Typical)	73,000 lb	33,000 kg

Screw feed option available

Model DH500 (Gravity Feed) General Arrangement And Dimensions



Typical Applications

The KOMAREK DH500 is suitable for a variety of applications, including:

- Charcoal
- Coal
- Direct Reduced Iron Fines
- Lime
- Lithium Carbonate
- MgO
- Nickel Latherite
- Salt
- Steel Mill Waste