



KOMAREK



DH300

Screw Feed

The Model DH300 is an extremely versatile and dependable machine designed specifically for briquetting operations requiring moderate to high pressures while optimizing production rates. Applications are numerous and include carbon based fuels, inorganic chemicals such as table salt, mineral ores, industrial by-products, and metal powders.

FEATURES:

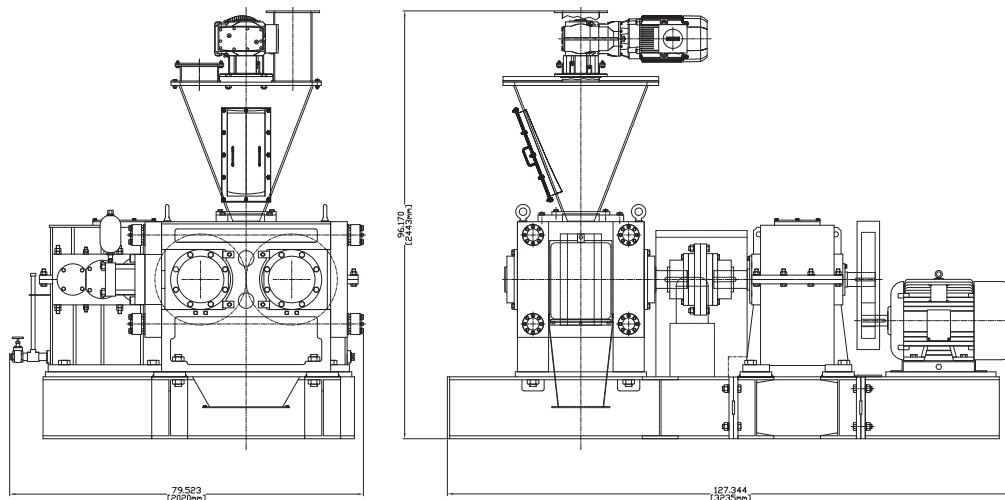
- Solid roll design for easy roll replacement
- Vertical feed design provides for either screw feed or gravity feed options
- Pockets are available in different shapes and sizes
- Vacuum de-aeration available for fine powder applications
- Roll and screw feeder drive speeds adjustable with optional Variable Frequency Drive (VFD) to maximize product quality
- Rolls and feed screws are available in wear and corrosion resistant alloys
- Robust and extremely stable industrial frame construction
- Heavy duty long lasting bearings and drive components
- Designed for ease of maintenance
- Gravity feed option available

Model DH300 (Screw Feed) General Specifications

Roll Diameter	13 - 20.5 in	330 - 520 mm
Roll Width	4 - 13 in	102 - 330 mm
Maximum Roll Separating Force	75 ton-force	670 kN
Roll Drive (Typical)	75 hp	56 kW
Feeder Drive (Typical)	15 hp	11 kW
Throughput Range (Depending on briquette size and density)	2 - 10 t/h	2 - 9 mt/h
Machine Weight (Typical)	21,700 lb	9,850 kg

**Gravity feed option available*

Model DH300 (Screw Feed) General Arrangement And Dimensions



Typical Applications

The KOMAREK DH300 is suitable for a variety of applications, including:

- Aluminum
- Bentonite
- Calcium Hypochlorite
- Charcoal
- Chemicals
- Coal
- Lime
- Lithium Carbonate
- Maleic Anhydride
- Metallic Cobalt
- Minerals
- Molybdenum
- Nickel Latherite
- Salt
- Sodium Cyanide
- Steel Mill Waste