

BH400CH

The model BH400CH roller press is a rugged machine that has been designed for reliability and ease of maintenance. It was developed to meet a growing demand for briquetted or granulated products manufactured using dry pressure agglomeration technology in chemical and food industries. Thanks to a very wide range of adjustable operating parameters, this roller press is very versatile, universal machine capable of processing a variety of powders with the throughput up to 12 t/h under the compaction pressure range 50 to 350 MPa.

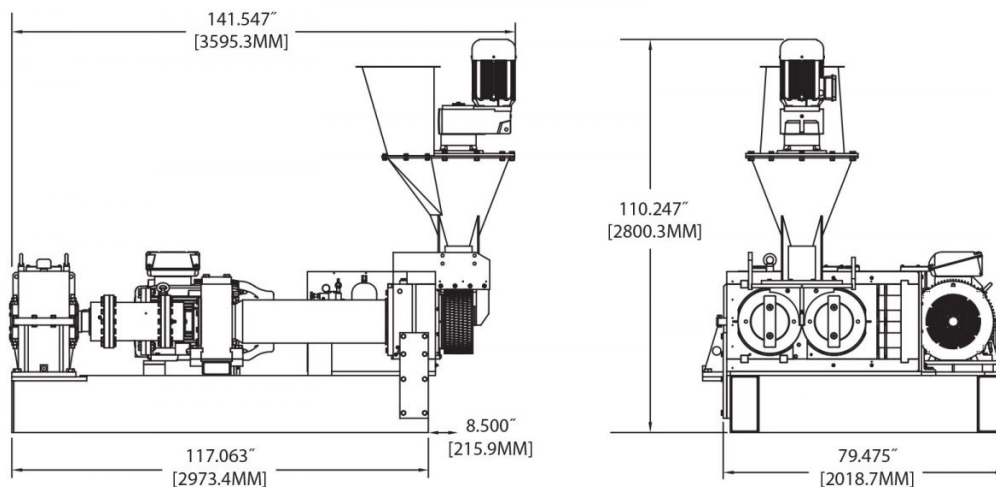
FEATURES:

- Separation of the process zone from the mechanical area of the equipment
- Capable of processing a variety of powders with throughput up to 15 tons/hour under the compaction pressure range 50 to 350 MPa
- Hydraulically assisted sliding back feed system for easy maintenance, quick set up, changes and cleaning
- Double screw feeder with separate drives and control system which allows, together with some other design features, optimization of pressure and density distribution across the roll width
- Options: rollers cooling/heating system, vacuum deaeration for light and fluffy powders, PLC based process control system
- Variable speed roll and screw feeder drives to maximize product quality
- Designed for ease of maintenance

Model BH400CH General Specifications

Roll Diameter	18 in	457 mm
Roll Width	8 in	203 mm
Maximum Roll Separating Force	110 ton-force	980 kN
Roll Drive (Typical)	250 hp	186 kW
Feeder Drive (Typical)	25 hp	19 kW
Throughput Range (Depending on briquette size and density)	5 - 15 t/h	4.5 - 13.5 mt/h
Machine Weight (Typical)	22,000 lbs	9,980 kg

Model BH400CH General Arrangement And Dimensions



Typical Applications

The KOMAREK BH400CH is suitable for a variety of applications, including:

- Humic Acid
- Lithium Carbonate
- Micronutrients/Fertilizer
- Salt