



# KOMAREK



# B400B

The Model B400B is a rugged machine designed specifically for briquetting operations requiring high pressures combined with ease of roll change. Typical applications include inorganic chemicals such as quick lime (CaO) and metal powders.

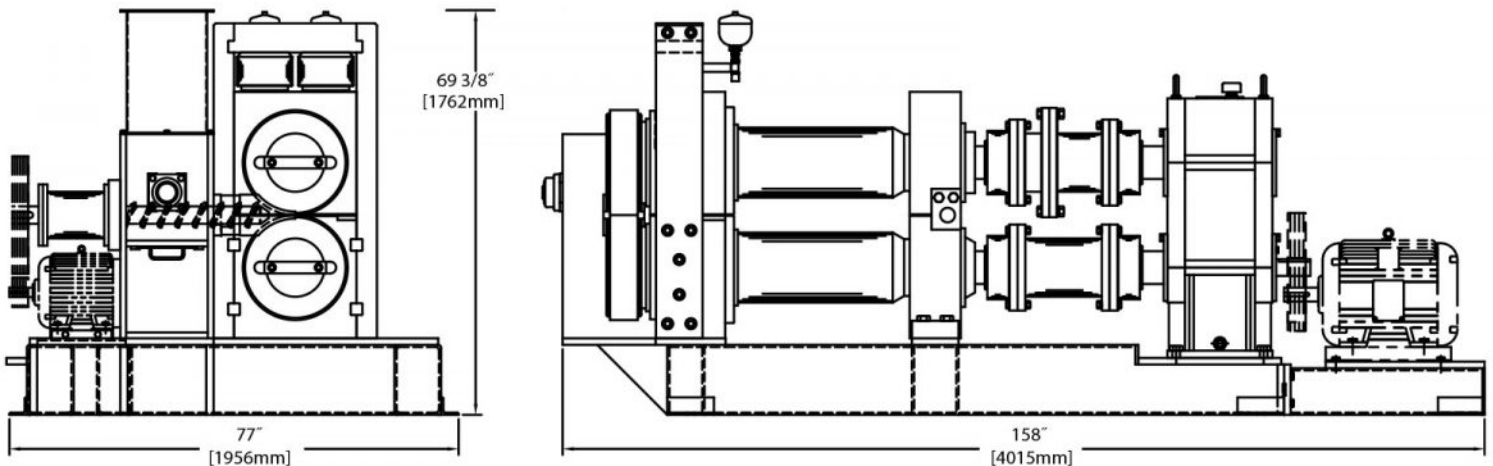
## FEATURES:

- Cantilevered roll design for easy roll replacement
- Horizontal feed design provides more versatile and precise feed into the rolls
- Pockets are available in different shapes and sizes
- Vacuum de-aeration available for fine powder applications
- Variable speed roll and screw feeder drives to maximize product quality
- Rolls and feed screws are available in wear and corrosion resistant alloys
- Rugged industrial frame construction
- Heavy duty long lasting bearings and drive components
- Designed for ease of maintenance

## Model B400B General Specifications

Roll Diameter	18 in	460 mm
Roll Width	6 in	150 mm
Maximum Roll Separating Force	120 ton-force	1067 kN
Roll Drive (Typical)	100 hp	75 kW
Feeder Drive (Typical)	15 hp	11 kW
Throughput Range (Depending on briquette size and density)	3 - 10 t/h	2.5 - 9 mt/h
Machine Weight (Typical)	26,000 lbs	12,000 kg

## Model B400B General Arrangement And Dimensions



## Typical Applications

The KOMAREK B400B is suitable for a variety of applications, including:

- CKD fines
- Coal
- Humic Acid
- Lime
- Metal Powders
- Micronutrients/Fertilizer
- Minerals
- Molybdenum
- Salt