

DH400



Model DH400

The Model DH400 is an extremely versatile and dependable machine designed specifically for briquetting operations requiring moderate to high pressures while optimizing production rates. Applications are numerous and include carbon based fuels, inorganic chemicals such as quick lime (CaO), mineral ores, industrial by-products, salt and metal powders.

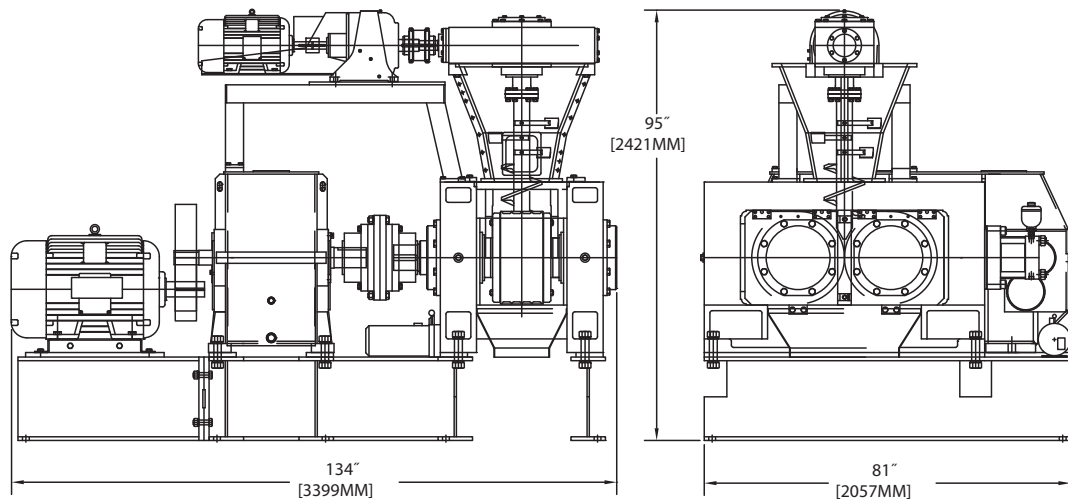
Features:

- Solid or segmented roll design for easy roll replacement
- Vertical feed design provides for either screw feed or gravity feed options
- Pockets are available in different shapes and sizes
- Vacuum de-aeration available for fine powder applications
- Variable speed roll and screw feeder drives to maximize product quality
- Rolls and feed screws are available in wear & corrosion resistant alloys
- Robust and extremely stable industrial frame construction
- Heavy duty long lasting bearings and drive components
- Designed for ease of maintenance

Model DH400 General Specifications

Roll Diameter	20.5 in	521 mm
Roll Width	4 - 20 in	102 - 508 mm
Maximum Roll Separating Force	150 ton-force	1334 kN
Roll Drive (Typical)	100 hp	75 kW
Feeder Drive (Typical)	30 hp	22 kW
Throughput Range (Depending on briquette size and density)	5 - 20 t/h	4 - 18 mt/h
Machine Weight (Typical)	32,000 lb	14,500 kg

Model DH400 General Arrangement and Dimensions



Typical Applications

KOMAREK DH400 is suitable for a variety of applications, including:

Lime	Sodium Cyanide	Aluminum	Chemicals
Minerals	Steel Mill Waste	Molybdenum	Lithium Carbonate
Charcoal	Nickel Latherite	Coal	Bentonite
Salt	MgO		