

BH400CH



Model BH400CH

The BH400CH roller press is a rugged machine that has been designed for reliability and ease of maintenance. It was developed to meet a growing demand for briquetted or granulated products manufactured using dry pressure agglomeration technology in chemical and food industries. Thanks to very wide range of adjustable operating parameters, this roller press is very versatile, universal machine capable of processing a variety of powders with the throughput up to 12 t/h under the compaction pressure range 50 to 350 MPa.

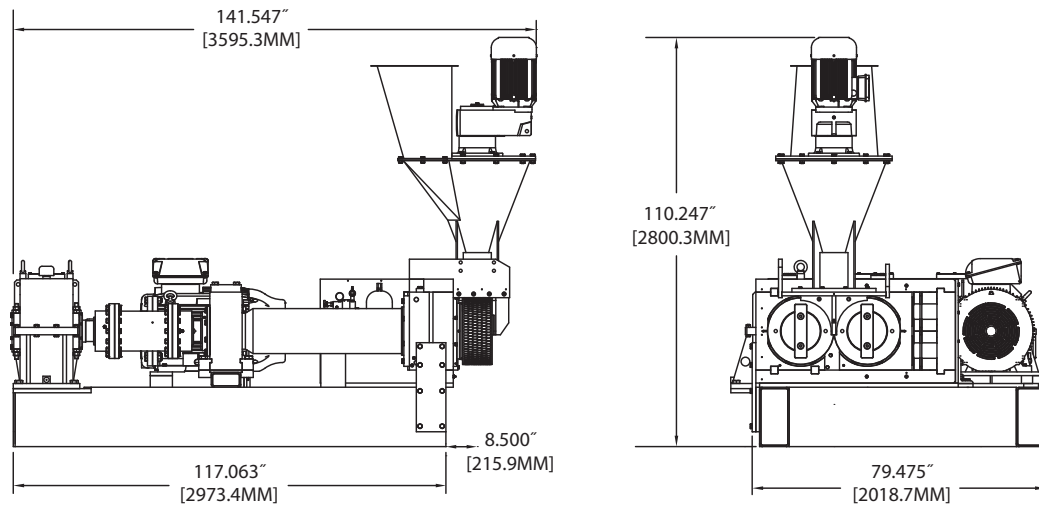
Features:

- Separation of the process zone from the mechanical area of the equipment.
- Hydraulically assisted sliding back feed system for easy maintenance, quick set up changes and cleaning.
- Double screw feeder with separate drives and control system which allows, together with some other design features, to optimize pressure and density distribution across the roll width.
- Optional: rollers cooling/heating system, vacuum deaeration for light and fluffy powders, PLC based process control system.

Model BH400CH General Specifications

Roll Diameter	18 in	457 mm
Roll Width	8 in	203 mm
Maximum Roll Separating Force	110 ton-force	980 kN
Roll Drive (Typical)	250 hp	186 kW
Feeder Drive (Typical)	25 hp	19 kW
Throughput Range (Depending on briquette size and density)	5 - 10 t/h	0.9 - 13.6 mt/h
Machine Weight (Typical)	22,000 lb	9,980 kg

Model BH400CH General Arrangement and Dimensions



Typical Applications

KOMAREK BH400CH is suitable for a variety of applications, including:

Salt

Humic Acid

Micronutrients/Fertilizer

Lithium Carbonate